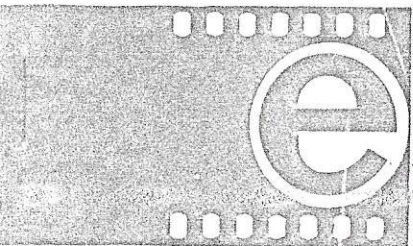


Cricket

use
maintenance
spares



elemack

movie making and TV equipment

Cricket

SHOOTING IN A TIGHT SPOT

ELEMACK present the Cricket dolly as the new generation of cinema and television equipment for stage or location work.

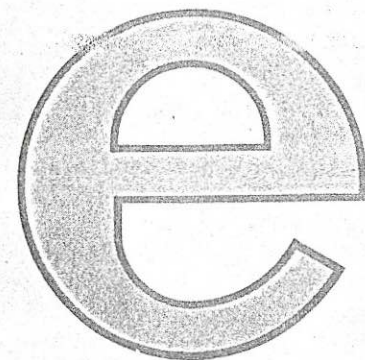
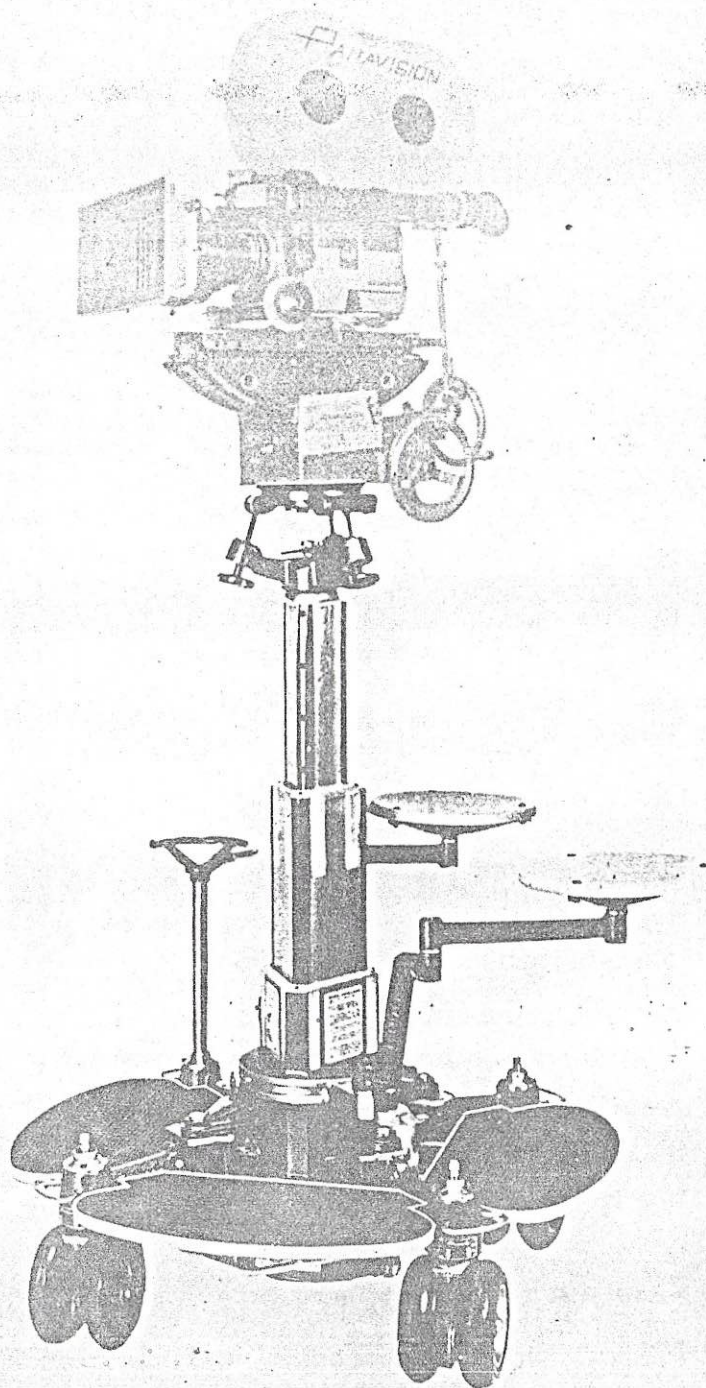
The nodal point of the Cricket mainly consists in a complete substitution of the pedal action hydraulic columns, with a new double extension elevator, actioned by an electric-hydrodrive unit in simultaneous, variable speed movement.

Another new important concept of the Cricket is the triangular shaped extension made in extruded-hard aluminium, which runs smoothly with roller bearings on hardened and ground steel guides, which assure steadiness in all position without brakes.

No more seal O-ring except one, on the only cylinder, which means, avoiding the expensive periodical changing of gaskets and reduction of maintenance.

The control system assures variable speed from 0 up to 40 feet per minute, which is the equivalent time spent from sitting to the standing position of a person in a chair.

For the above features and performances we think the Cricket will be the equipment of the future.



Quality control: _____

Serial number: _____

Manufactured on: _____

OPERATING INSTRUCTIONS

Charging the hydraulic system

The Elemack Dollies are shipped ready for immediate operation. To operate the dolly it is first necessary to raise the oil pressure to a nominal pressure of 1800 P.S.I. as indicated on the oil gauge located on the hydraulic unit. The oil pressure can be raised either electrically or manually.

The electric pump fitted to the Cricket dolly may be operated off 115V AC or DC. Where only a 220-240V AC supply is available, it is necessary to use a step-down transformer.

Connect the power supply to the input socket located on the electric control panel.

Operate the motor pump by pressing the black START button, (marked 1 on the photo). The electric pump will automatically shut off at a maximum operating pressure of approximately 1800 P.S.I. It may also be shut off at any desired pressure between 700 and 1800 P.S.I. by pressing the red STOP button (marked 2 on the photo).

When electric power is not available the hydraulic pressure may be raised manually by means of the hand pump situated on the right-hand side of the hydraulic unit. For manual operation it is necessary to ensure the operating control (marked 3 on the photo) is in the central "0" neutral position.

UNDER NO CIRCUMSTANCES SHOULD A DOLLY BE TRANSPORTED IN A CHARGED CONDITION.

Central column operation

To raise the central column a minimum pressure of 800 P.S.I. is required.

To operate the column up and down, the control

knob must be moved from the central "0" neutral position to "UP" or "DOWN". The further the knob is moved the faster it will operate. Unless the movement is stopped beforehand it will automatically slow down and stop when it reaches the maximum UP or DOWN position. The control knob is fitted with a "click" in the neutral "0" position.

Camera mounting

The top of the central column of the Elemack Cricket dolly is fitted with an AE/U European coupling to which all types of tripod head adaptors, such as Arriflex bowl, Cartoni, Miller and Mitchell, may be fitted.

The Elemack Jonathan Jib-Arm, Mini-Jib and Snake low-angle bracket may also be fitted as necessary.

When using the Mitchell type fitting with levelling adjustment it is possible to gain additional 4.5" (114 mm) of up and down adjustment setting to level to the minimum or maximum positions. Care must be taken to adjust all three screws more or less simultaneously or else the top casting will be bent.

Dolly steering

The Elemack Cricket dolly may be manoeuvred either by four wheel crabbing or by two wheel steering. The selection is controlled by wing levers on arms Nos. 1 and 4.

To change from crabbing to steering it is necessary to turn all wheels forward, so aligning the frontmost arrow on arms 1 and 4 with the arrow on the fork; by pushing down on the wing levers the front wheels should lock into position.

To change from steering to crabbing the two unlocked wheels should be aligned with the front locked wheels and the wing levers can be lifted thus enabling free movement of all wheels.

When working on an uneven surface it may be advantageous to operate the dolly as a three wheel triangular dolly by removing wheel No. 2,

folding the arm in close, and setting wheel No. 3 into a triangular configuration. Steering can be obtained by locking wheels 1 and 4 as previously instructed.

Under normal circumstances the dolly is operated with the wheels set in the widest configuration, and in confined situations in the narrow "corridor" position. For storage and transportation the wheels should be folded into the "corridor" position.

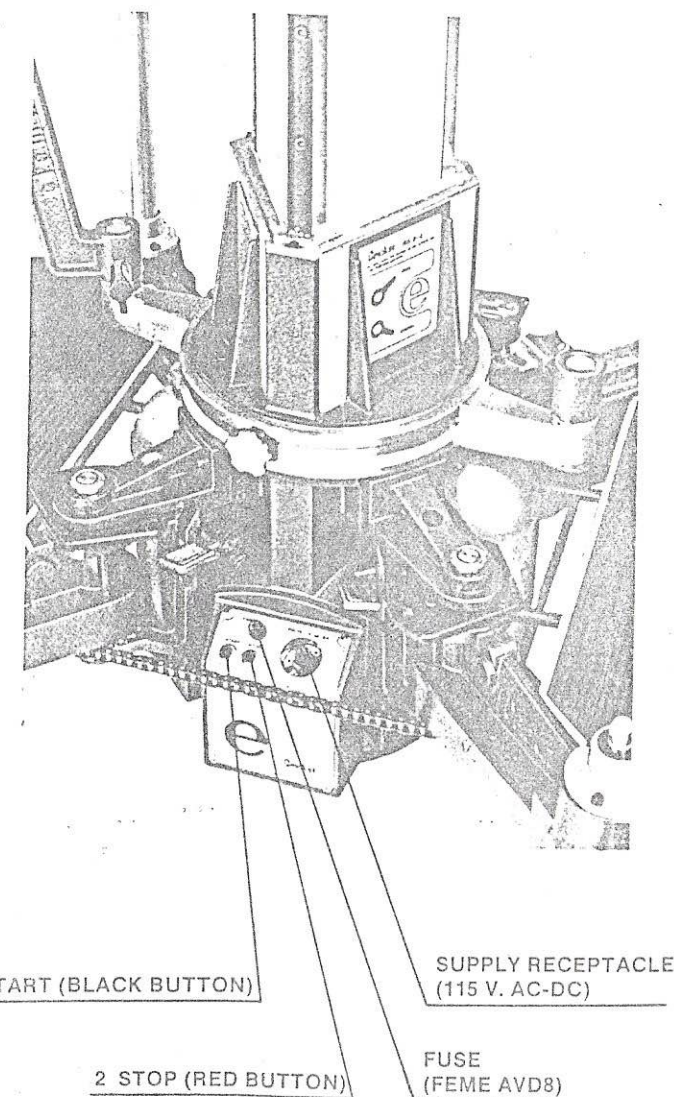
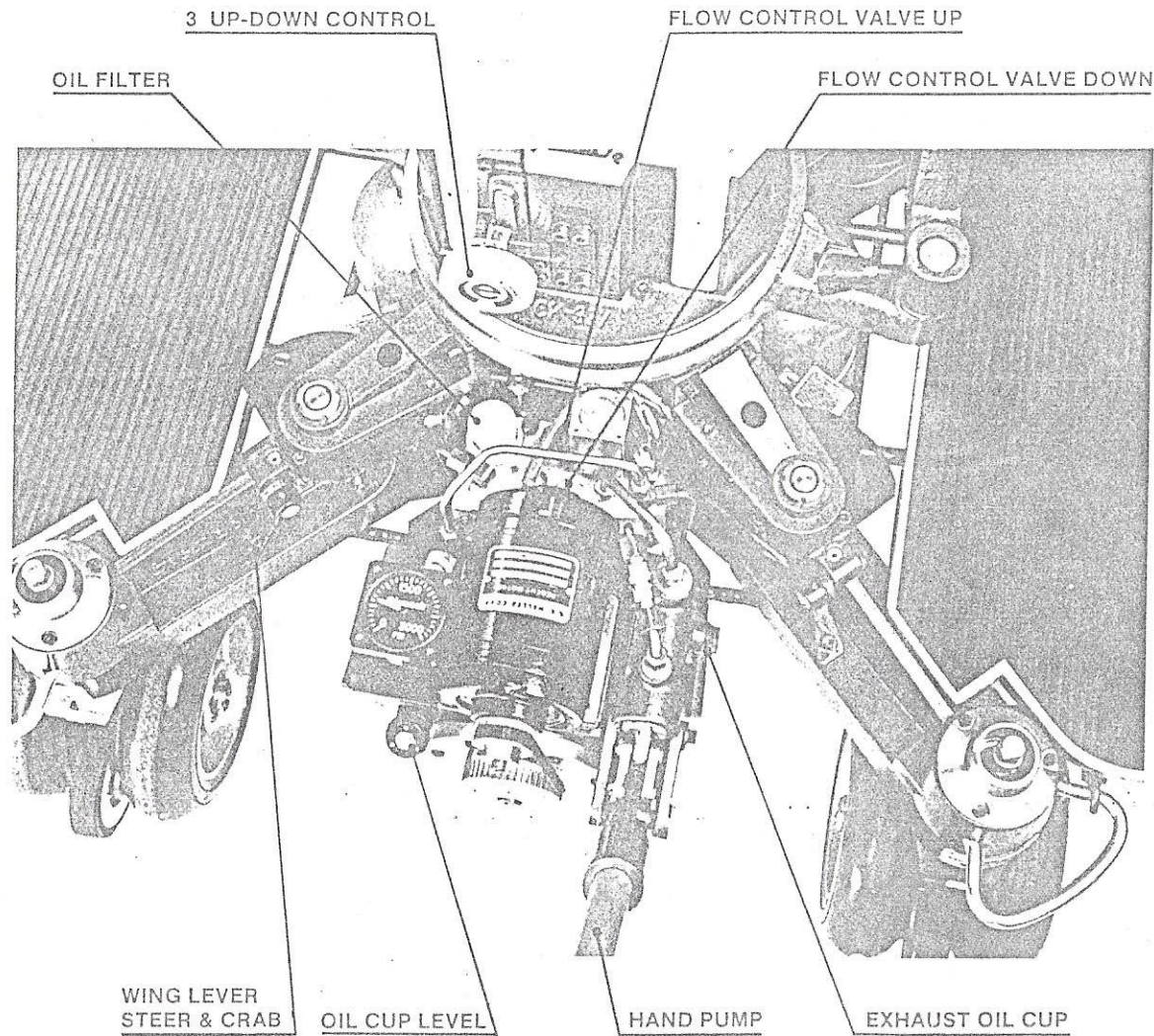
With the normal full spread configuration the minimum circle that can be steered without undue scuffing is about 16' 6" (5 meters) diameter, 13' 6" (4 meters) in the narrow corridor setting, 15' 0" (4.5 meters) with two wheels wide and two narrow and 4' 7" (1.5 meter) by taking one wheel off and using three only.

Wheel track adjustment

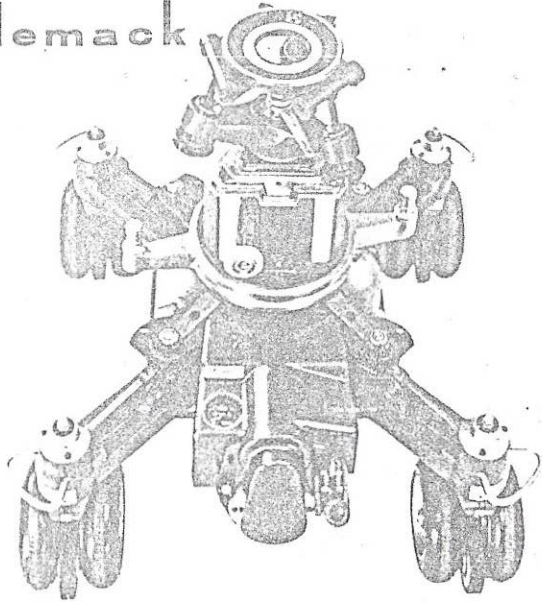
The wheels are connected together by a continuous chain which does not normally require adjustment. When track adjustment is necessary proceed as follows:

Tools required are 2 x alignment bars (17 mm diameter x 70-75 cm long) and 1 x 22 mm King Spanner.

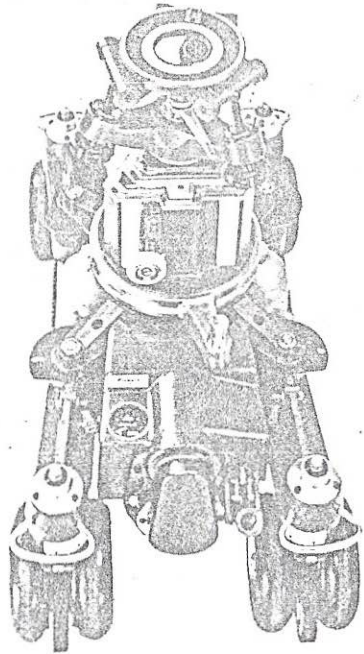
1. Raise dolly from floor level.
2. Dismantle all wheels from forks.
3. Loosen nuts securing forks to arms 2 and 3.
4. Lock front forks using wing levers on arms 1 and 4.
5. Pass alignment bar through forks 2 and 3 and tighten nuts whilst allowing free movement of alignment bar. Remove bar.
6. Unlock front forks and turn 90° allowing alignment bars to pass between fork No. 1 and 2 and 3 and 4.
7. Tighten all fork nuts. Remove bars and return fork to original position. Recheck forks 2 and 3 with bar.
8. Remove bar. Replace all wheel assemblies.



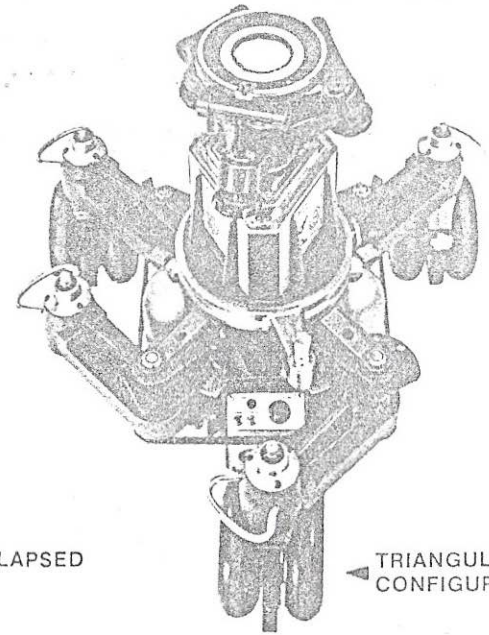
Elemack



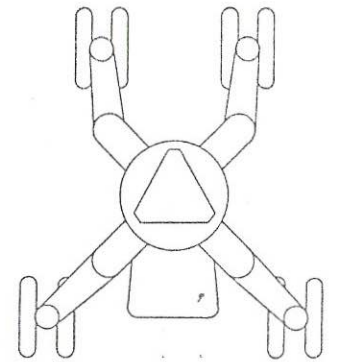
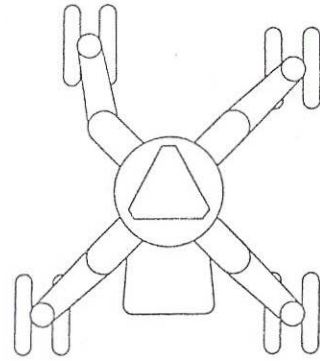
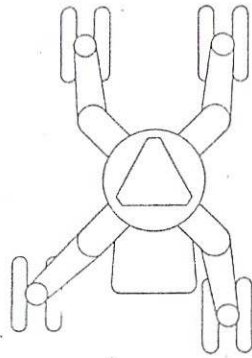
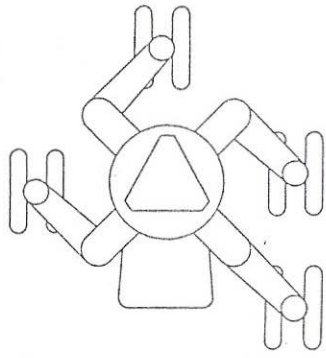
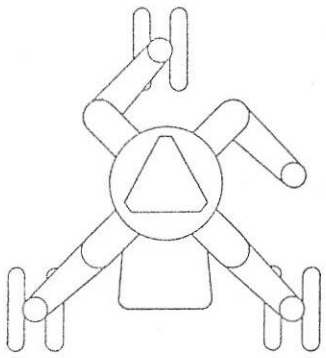
FULLY OPEN
GAUGE 62



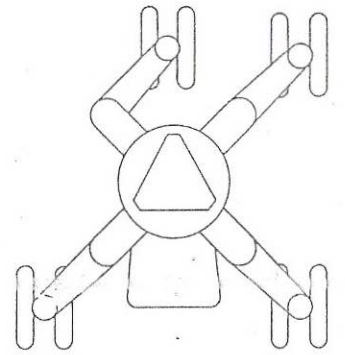
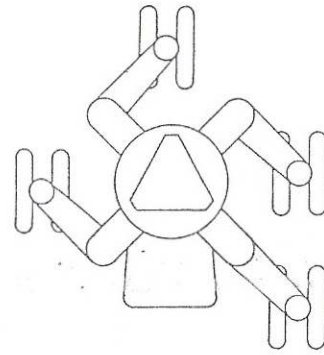
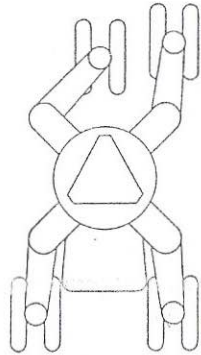
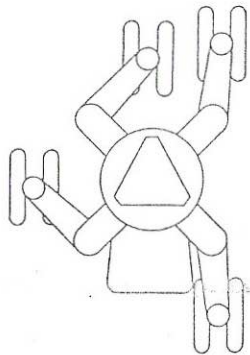
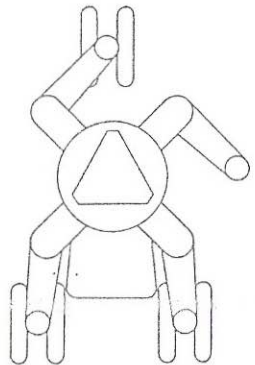
FULLY COLLAPSED
GAUGE 36



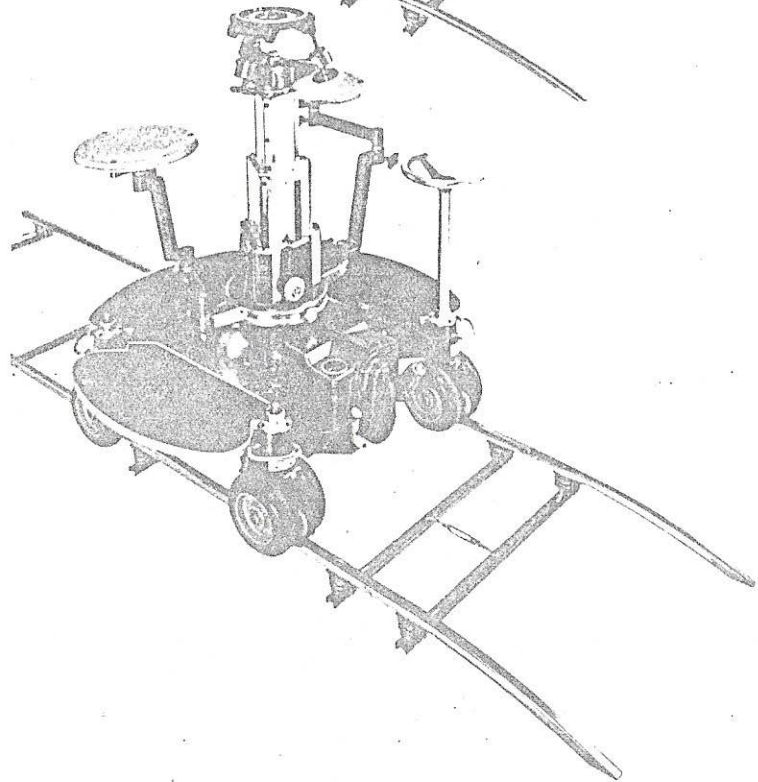
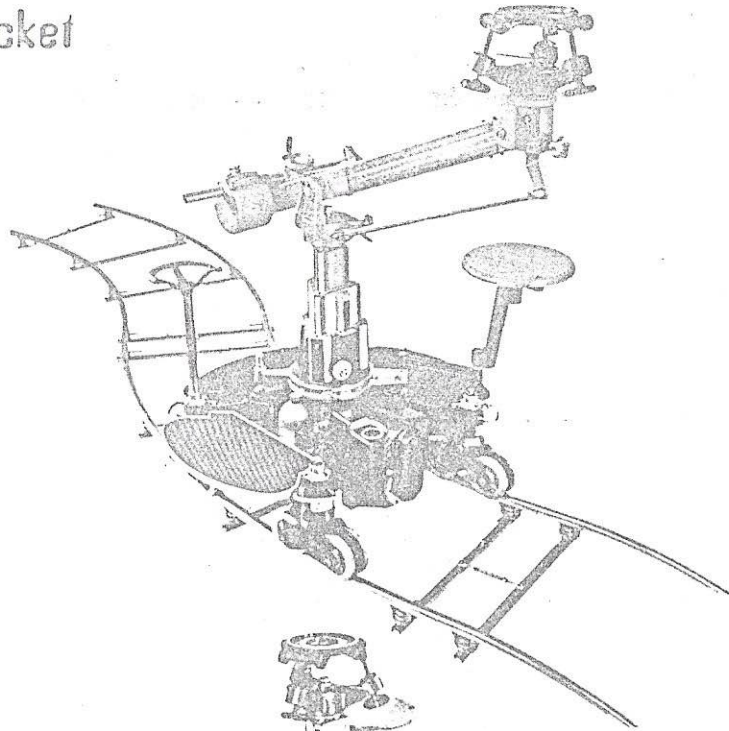
TRIANGULAR
CONFIGURATION



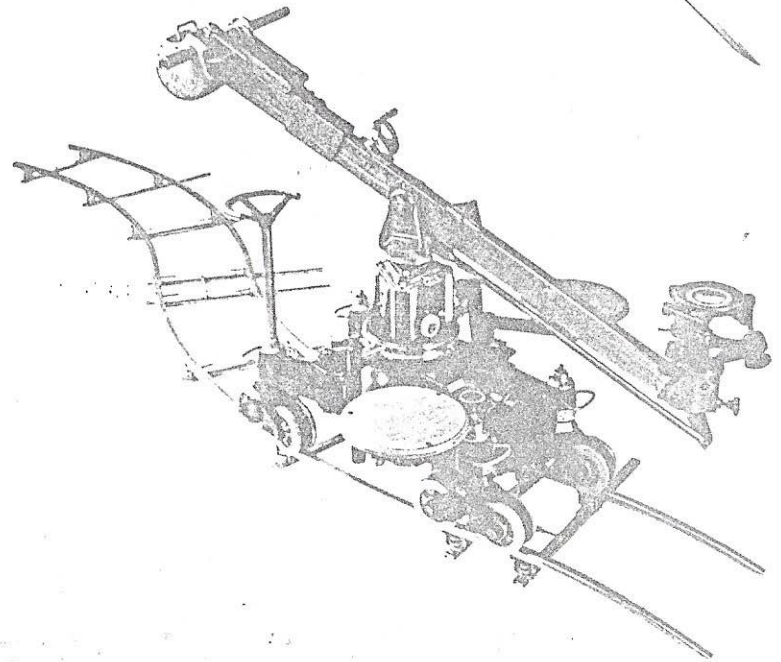
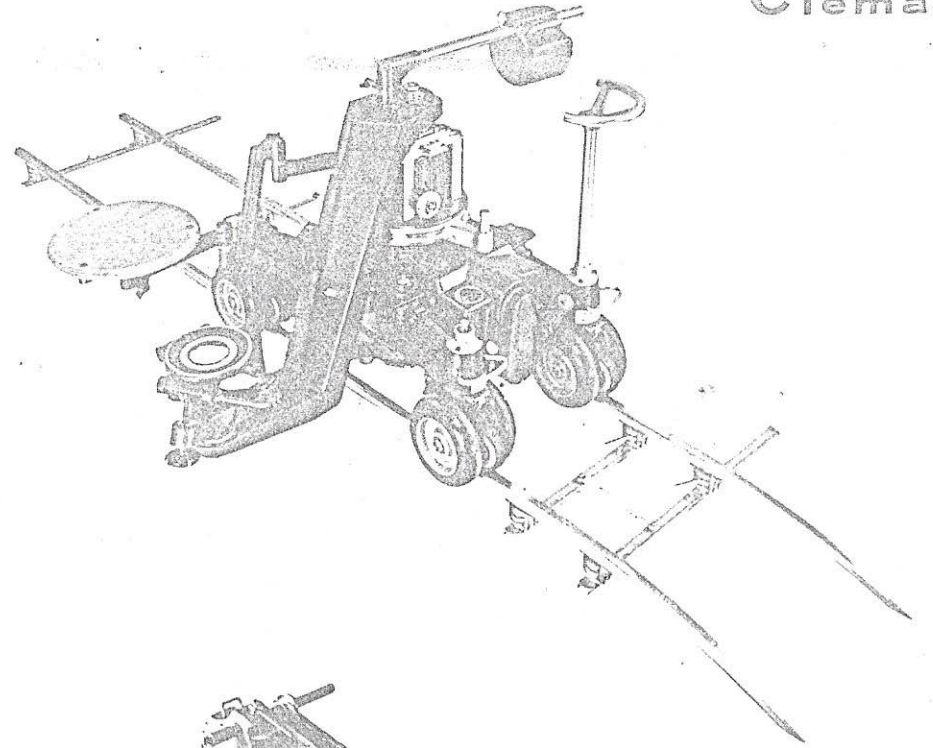
SOME OF THE 83 CONFIGURATIONS WHICH THE CRICKET CAN ASSUME



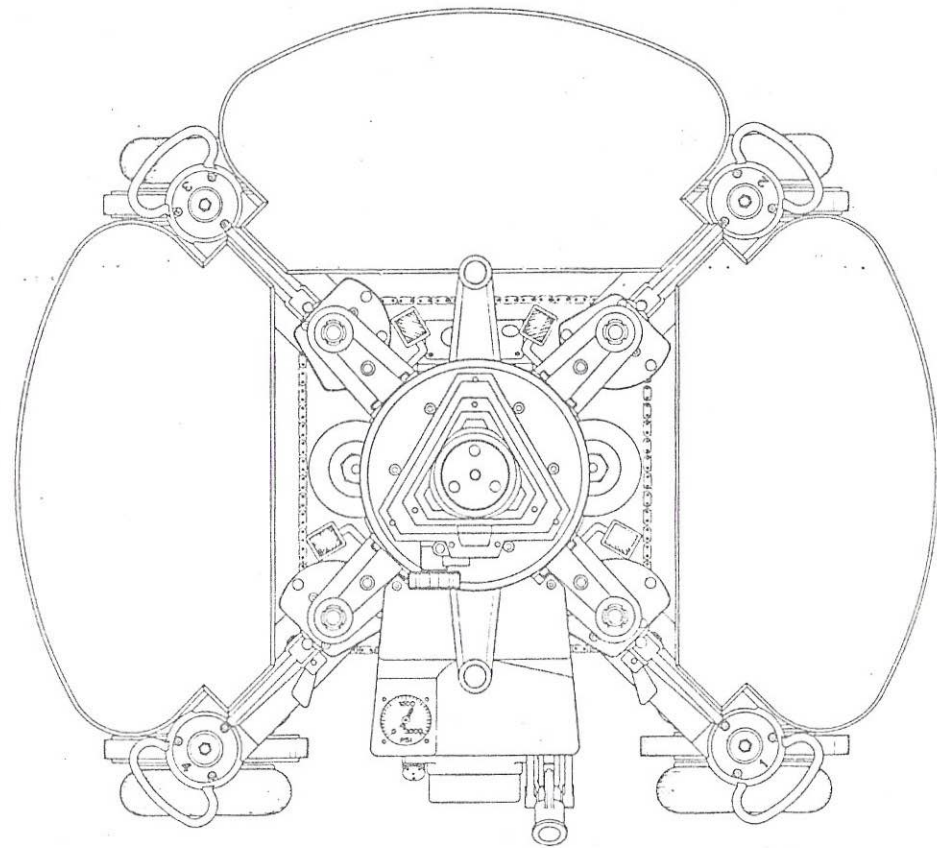
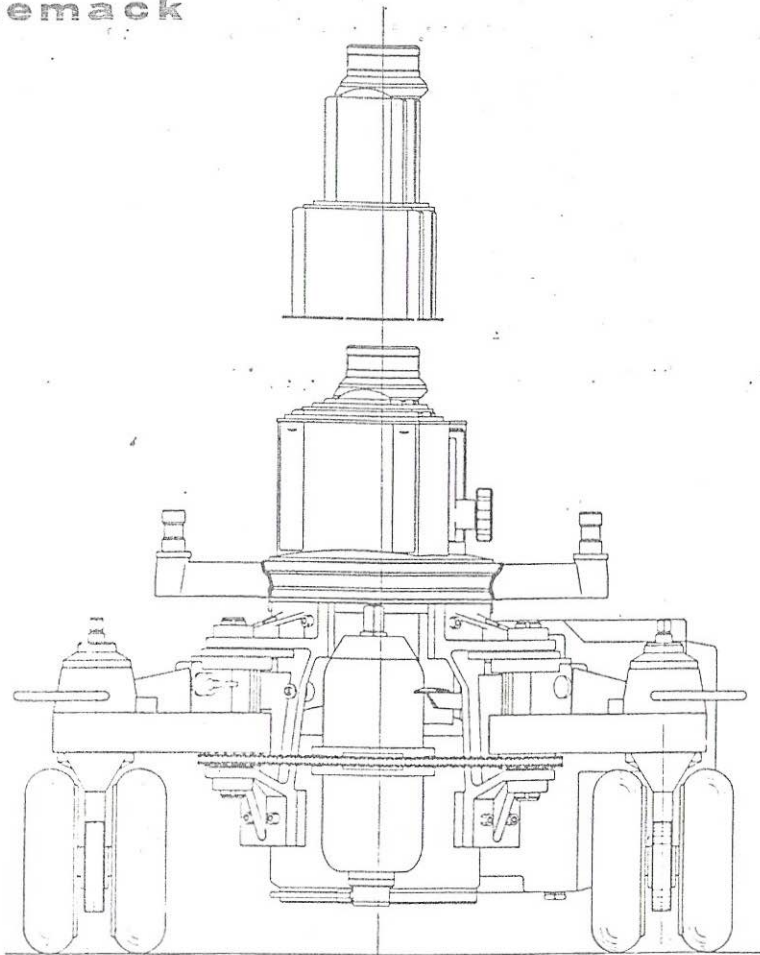
Cricket



Elemack



elemack



SPECIFICATIONS

Max. height from ground (Top of column)	50 ¹³ / ₃₂ " - cm. 128
Min. height from ground (Top of column)	25 ¹³ / ₆₄ " - cm. 64
Extension	25 ¹³ / ₆₄ " - cm. 64

Min. track gauge	14 ³ / ₁₆ " - cm. 36
Max. track gauge	24 ⁷ / ₁₆ " - cm. 62
Max loads on camera base	lbs. 265 - Kg. 120
Weight	lbs. 300 - Kg. 136

PATENTS PENDING IN:

Italy	50287 A/79
Italy	996197
U.S.A.	185676
U.S.A.	4003584
W. Germany	P30348528
W. Germany	25418952
G. Britain	8029907
G. Britain	1521723
France	802134
France	7523893

CONTENTS:

Assembly exploded	assy	drwg.
Folding arm 1-3	CK-100/1	1
Folding arm 2-4	CK-100/2	2
Dolly base	CK-200	3
Extensions	CK-300	4
Hydraulic unit	CK-400	5
Hydraulic panel	CK-500	6
Electric panel	CK-600	7
Combined wheels	RG-7/701	8
Platforms	CK-700	9
Accessories	—	9

INTRODUCTION

1 General: this catalog has been prepared to provide technicians with information for ordering replacement parts for the Cricket dolly. The exclusive design features and Elemack precision workmanship that have made Elemack synonymous of dollies, require that only authentic Elemack parts be used as replacements.

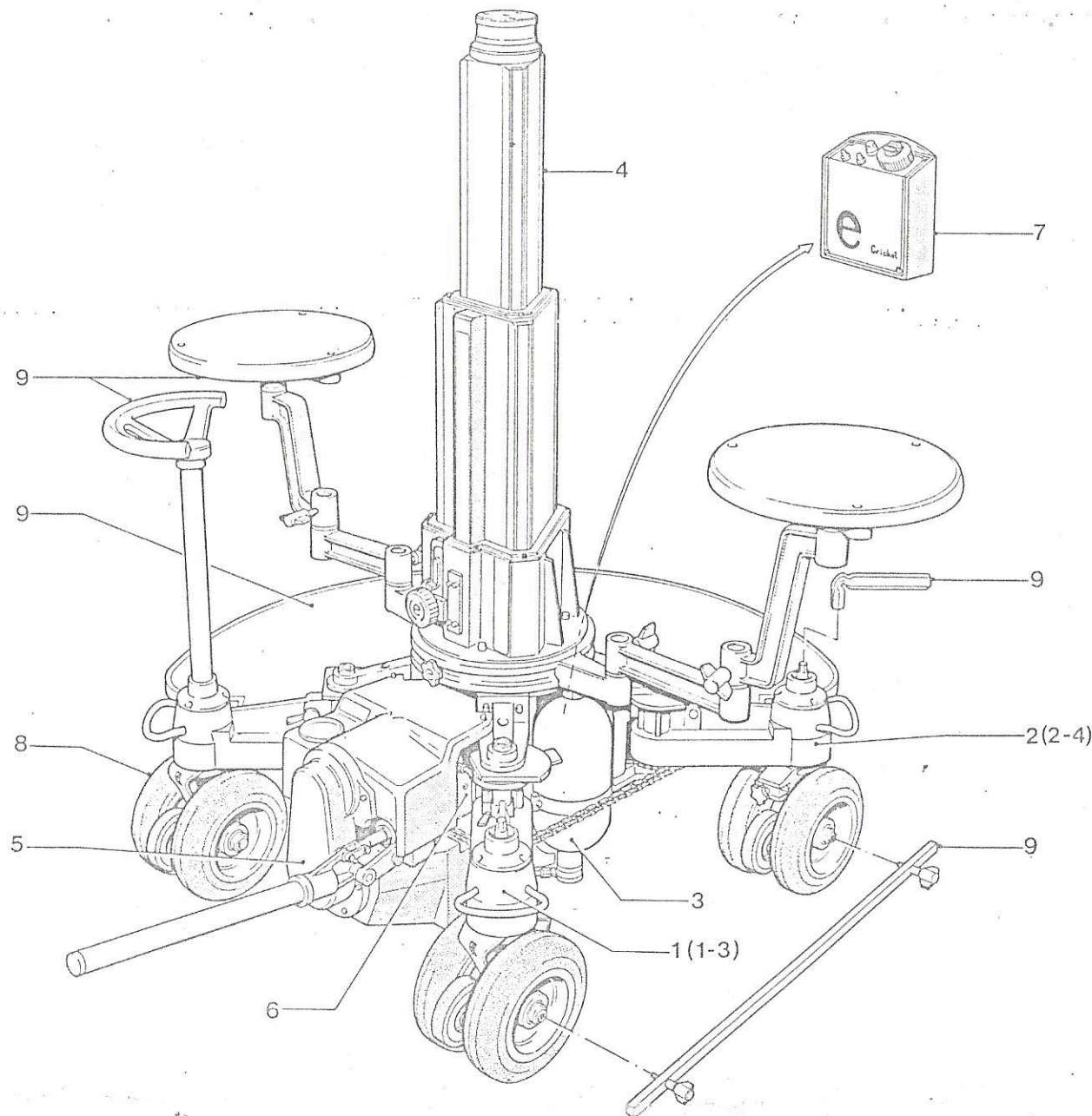
2 Scope: the various assemblies and sub-assemblies that comprise the Cricket dolly are separately illustrated and the part listed. The exploded views show the parts in relationship to each other and give an approximate order of disassembly. Beyond this, numbers have no further significance when ordering parts. Order by code number and description only.

3 To find a code number: when only the appearance of the part is known and it is desired to find the code number, refer to the illustration of the appropriate assembly, locate the part on the illustration and note its position number. Then find the code number in the accompanying parts list. Opposite the number will be found, code, description and quantity required for the particular assembly.

4 To find part illustration: if only the code number is known, refer to the appropriate parts list for the particular assembly and note the position number shown on the left. Use this number to locate the part illustration.

5 Non procurable parts: when a required part is not procurable separately, as indicated on the exploded illustration, Elemack will take care to add the other necessary parts, invoicing the complete amount without notice.

Parts can be modified or replaced without notice.



CONTENTS:

Assembly exploded	assy	drwg.
Folding arm 1-3	CK-100/1	1
Folding arm 2-4	CK-100/2	2
Dolly base	CK-200	3
Extensions	CK-300	4
Hydraulic unit	CK-400	5
Hydraulic panel	CK-500	6
Electric panel	CK-600	7
Combined wheels	RG-7/701	8
Platforms	CK-700	9
Accessories	—	9

INTRODUCTION

1 General: this catalog has been prepared to provide technicians with information for ordering replacement parts for the Cricket dolly. The exclusive design features and Elemack precision workmanship that have made Elemack synonymous of dollies, require that only authentic Elemack parts be used as replacements.

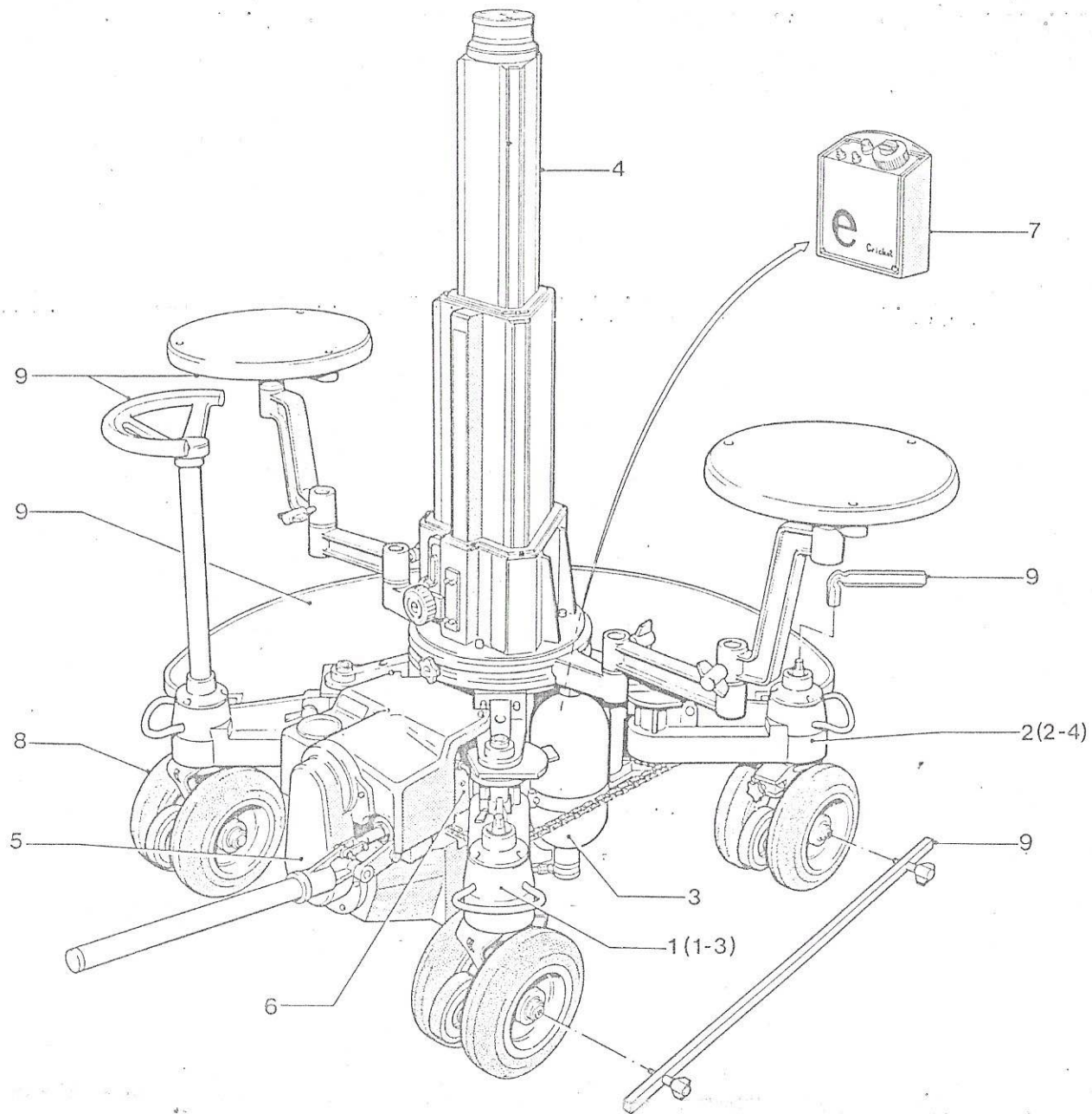
2 Scope: the various assemblies and sub-assemblies that comprise the Cricket dolly are separately illustrated and the part listed. The exploded views show the parts in relationship to each other and give an approximate order of disassembly. Beyond this, numbers have no further significance when ordering parts. Order by code number and description only.

3 To find a code number: when only the appearance of the part is known and it is desired to find the code number, refer to the illustration of the appropriate assembly, locate the part on the illustration and note its position number. Then find the code number in the accompanying parts list. Opposite the number will be found, code, description and quantity required for the particular assembly.

4 To find part illustration: if only the code number is known, refer to the appropriate parts list for the particular assembly and note the position number shown on the left. Use this number to locate the part illustration.

5 Non procurable parts: when a required part is not procurable separately, as indicated on the exploded illustration, Elemack will take care to add the other necessary parts, invoicing the complete amount without notice.

Parts can be modified or replaced without notice.

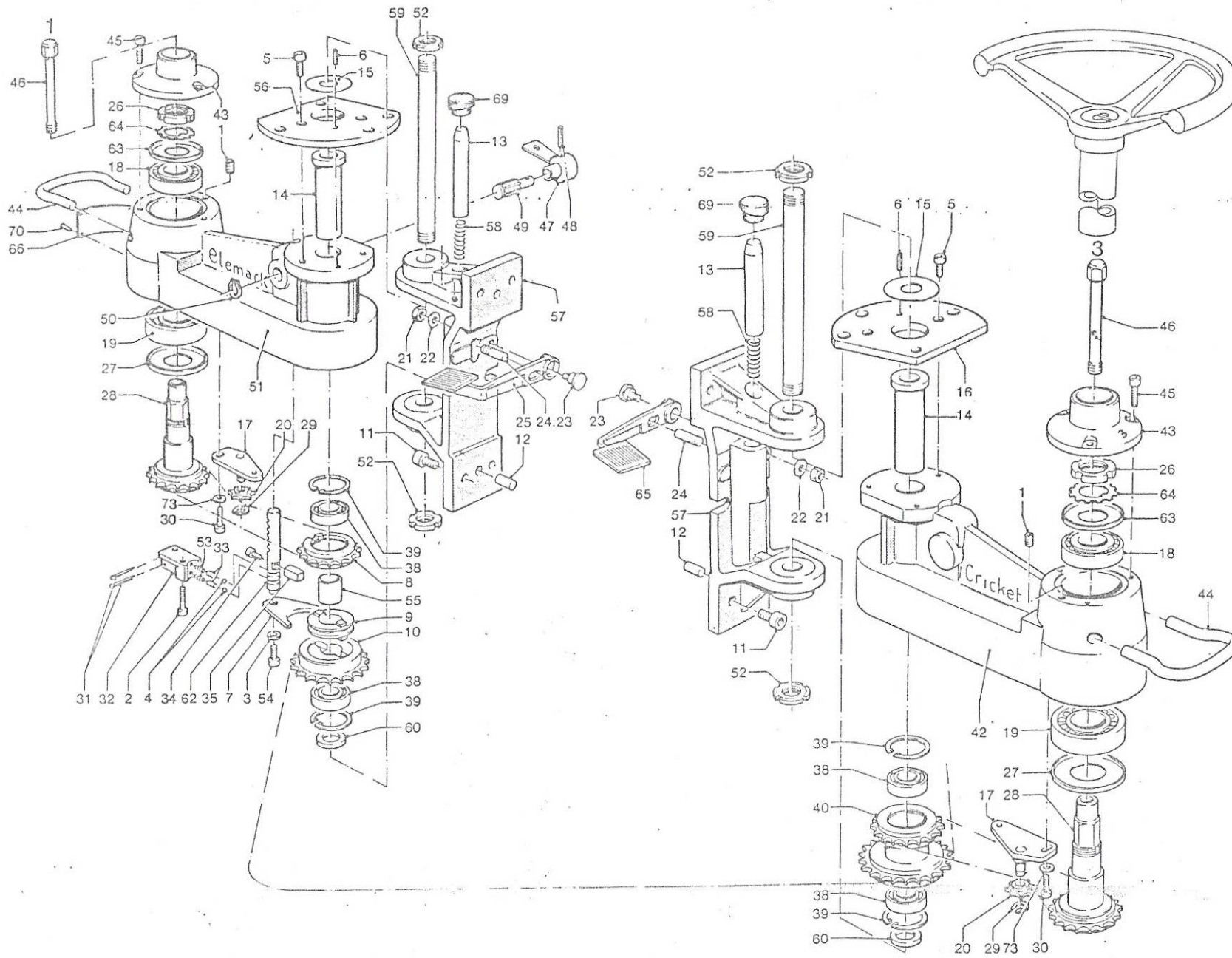


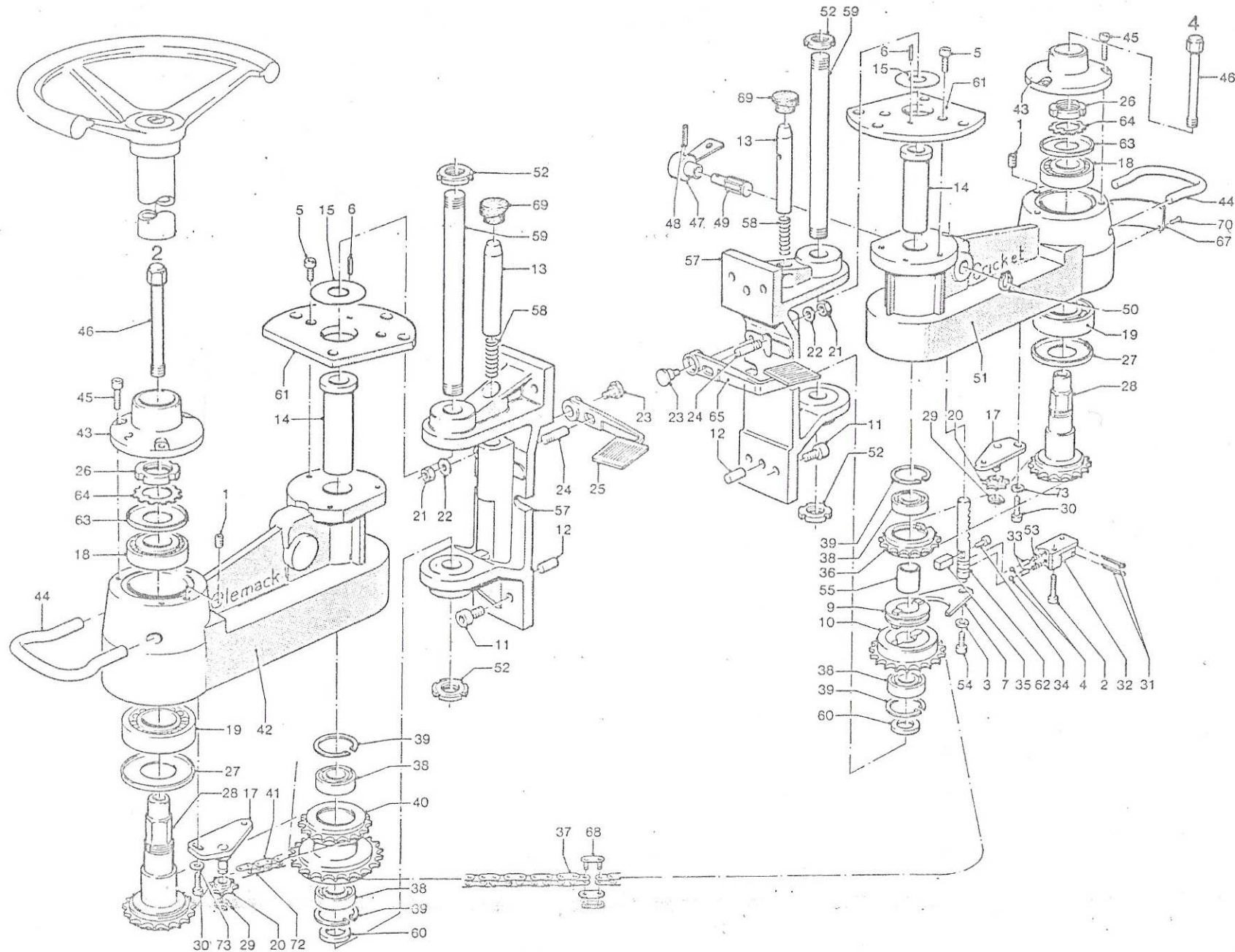
Cricket
Drwg. 1

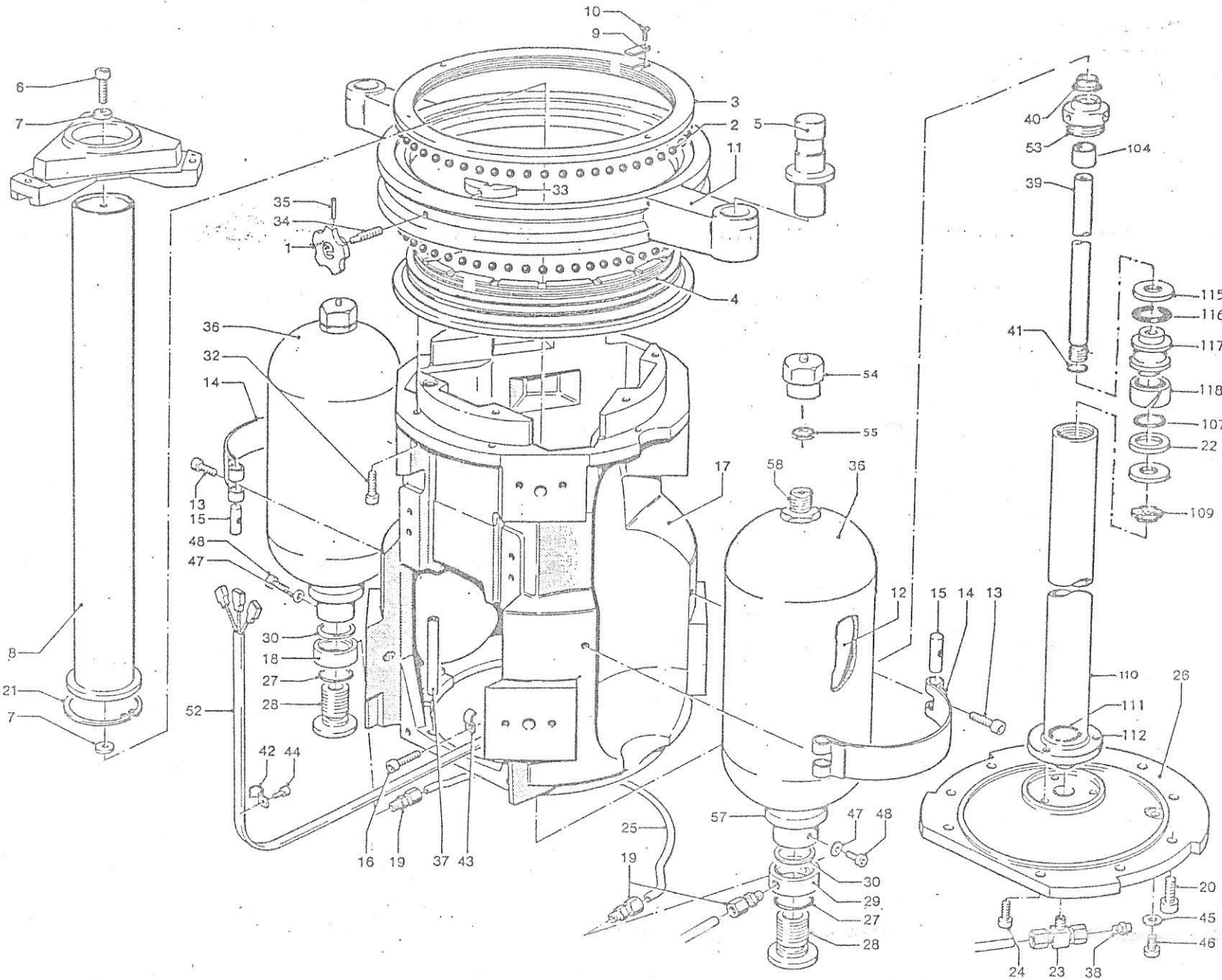
Folding arm 1-3

Assy CK-100/1

elemack







elemack

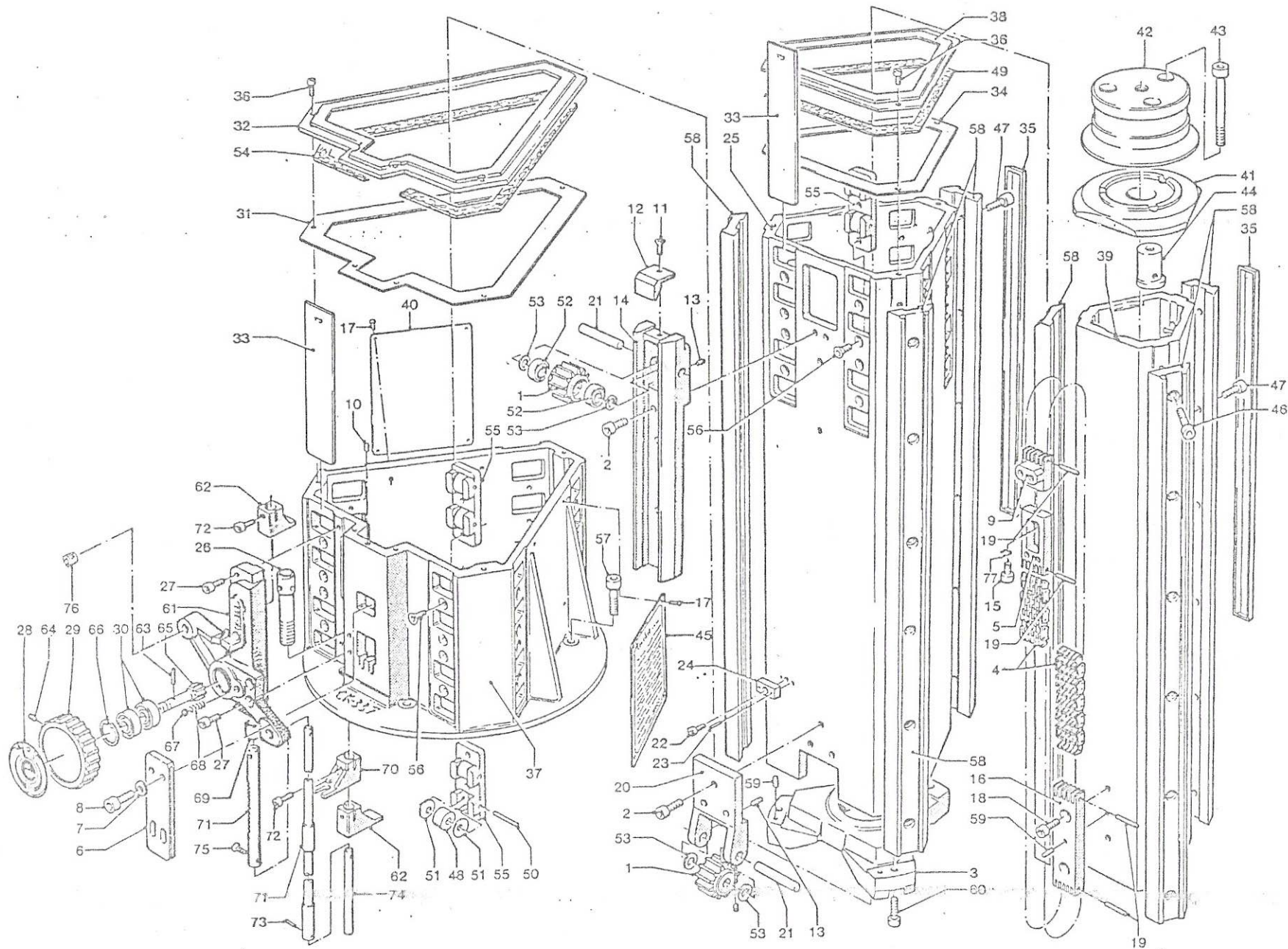
Dolly base

Assy CK-200

Cricket

Drwg. 3

Pos. No.	Code No.	Description	Quan.	Notes	Price	Pos. No.	Code No.	Description	Quan.	Notes	Price
1	CK-201	Knob	1			39	CK-260	Rod	1		
2	CK-202	Ball 5/16"	178	comm.		40	CK-257	Scraper ring WRM 062087	1	comm.	
3	CK-203	Register ring	1			41	CK-262	Seal ring OR 611 Dowty	1	comm.	
4	CK-204	Inside support	1			42	CK-243	Clip	1		
5	CK-205	Spindle	2			43	CK-244	Clip	1		
6	CK-206	Socket screw M6x20 UNI 5931	1	comm.		44	CK-245	Socket screw M4x8 UNI 5931	1	comm.	
7	CK-207	Spacer	2			45	CK-246	Seal washer ϕ i 6,5	1	comm.	
8	CK-208	Connecting tube	1			46	CK-247	Socket screw M6x10 UNI 5931	1	comm.	
9	CK-209	Key	1			47	CK-248	Copper washer ϕ i 5.2	2	comm.	
10	CK-210	Socket screw M3x5 UNI 6109	1	comm.		48	CK-249	Socket screw M5x10 UNI 5931	2	comm.	
11	CK-211	Swivel support	1			52	CK-642	Cable	1		
12	CK-213	Inner tube		comm.		53	CK-259	Piston guide	1		
13	CK-214	Socket screw M6x25 UNI 5931	4	comm.		54	CK-255	Cap	2		
14	CK-215	Sleeve collar	2			55	CK-256	Rubber washer	2	comm.	
15	CK-216	Spindle	4			57	CK-A258	Accum.(ASM15)oil valve complete		comm.	
16	CK-217	Socket screw M6x16 UNI 5931	4	comm.		58	CK-A268	Nitrogen valve		comm.	
17	CK-218	Base-body	1			17	CK-270	Base body (from CK	1		
18	CK-219	Collar	1			104	CK-261	Bush MB 16.25 DU	1	comm.	
19	CK-220	Male connector	3	comm.		107	CK-264	Seal ring OR 118 Dowty	1	comm.	
20	CK-221	Socket screw M6x20 UNI 5931	9	comm.		109	CK-266	Threaded ring GUK 12x1	1	comm.	
21	CK-222	Safety ring ϕ 60 UNI 3654	1	comm.		110	CK-267	Cylinder	1		
22	CK-223	Glyd ring E/GR 30-S Polypac	1	comm.		111	CK-269	Seal ring OR 028 Dowty	1	comm.	
23	CK-224	Male branch TEE	1	comm.		112	CK-287	Cylinder base	1		
24	CK-225	Socket screw M6x16 UNI 5931	3	comm.		115	CK-292	Side piston	2		
25	CK-226	Pipe	1			116	CK-291	Seal ring OR 213 Dowty	1	comm.	
26	CK-227	Bottom cover	1			117	CK-290	Piston	1		
27	CK-228	Seal ring OR 121 Dowty	2	comm.		118	CK-288	Guide ring	1		
28	CK-229	Special screw	2			119					
29	CK-230	Collar	2								
30	CK-231	Seal ring OR 121 Dowty	2	comm.							
	CK-232	Cylinder (until CK 802/63)									
32	CK-233	Socket screw M6x25 UNI 5931	6	comm.							
33	CK-234	Shoe	1								
34	CK-235	Screw	1								
35	CK-236	Elastic pin ϕ 2x14 DIN 1481	1	comm.							
36	CK-A237	Accumulator ASM 15 complete	2	comm.							
37	CK-238	Rack guide	1								
38	CK-239	Air bleeder cap	1	comm.							



elemack

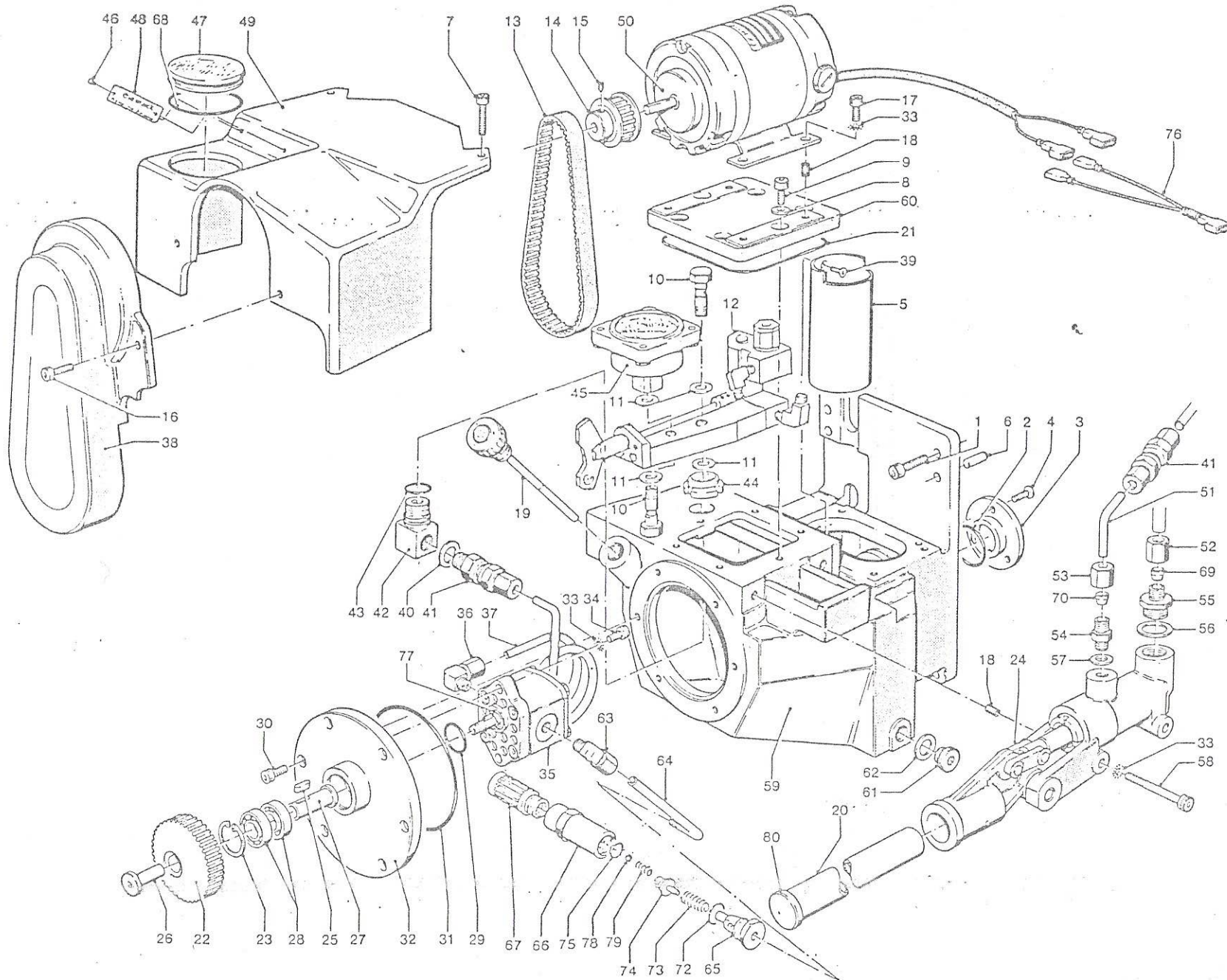
Extensions

Assy CK-300

Cricket

Drwg. 4

Pos. No.	Code No.	Description	Quan.	Notes	Price	Pos. No.	Code No.	Description	Quan.	Notes	Price
1	CK-301	Silent chain sprocket Z=14	2			39	CK-339	Second extension (without guides)	1		
2	CK-302	Socket screw M6x14 UNI 5931	7	comm.		40	CK-340	Plate "RS/2+2"	1		
3	CK-303	Bracket	1			41	CK-342	Adaptator	1		
4	CK-304	Silent chain KH 2220 A	2	comm.		42	CK-343	European coupling AE/U-CK	1		
5	CK-305	Chain stretcher	1			43	CK-344	Socket screw M8x60 UNI 5931	3	comm.	
6	CK-306	Tooth plate	1			44	CK-345	Fitting shoe	3		
7	CK-307	Washer Øi 6,4 UNI 6592	4	comm.		45	CK-346	Plate "hidraulic system"	1		
8	CK-308	Socket screw M6x25 UNI 5931	4	comm.		46	CK-347	Socket screw M6x35 UNI 5931	3	comm.	
9	CK-309	Chain stretcher register	1			47	CK-348	Socket screw M6x16 UNI 5931	33	comm.	
10	CK-310	Socket set screw M4x12 UNI 5923	1	comm.		48	CK-349	Roller bearing Durkopp DNKI5/12	48	comm.	
11	CK-311	Socket screw M4x8 UNI 5933	1	comm.		49	CK-350	Felt 2nd extension	1		
12	CK-312	Chain cover	1			50	CK-351	Pin Ø5x24 DIN 6325	48	comm.	
13	CK-313	Socket set screw M4x6 UNI 5929	2	comm.		51	CK-352	Spring cup D=15 DIN 2093	96		
14	CK-314	Upper chain support	1			52	CK-353	Ball bearing 607-Z	4	comm.	
15	CK-315	Socket screw M6x20 UNI 5931	1			53	CK-354	Spacer	4		
16	CK-316	Chain plate	1			54	CK-355	Felt 1st extension	1		
17	CK-317	Rivet	8	comm.		55	CK-356	Roller bearing support	24		
18	CK-318	Socket screw M6x10 UNI 5931	2	comm.		56	CK-357	Socket screw M5x12 UNI UNI 5933	48	comm.	
19	CK-319	Chain pin	4			57	CK-358	Socket screw M8x40 UNI 5931	5	comm.	
20	CK-320	Bottom chain support	1			58	CK-359	Guide (before grind)	6		
21	CK-321	Spindle	2			59	CK-360	Elastic pin Ø5x12 UNI 1481	2	comm.	
22	CK-322	Socket screw M4x12 UNI 5931	1	comm.		60	CK-361	Socket screw M6x18 UNI 5931	3	comm.	
23	CK-323	Elastic pin Ø 2x12 DIN 1481	2	comm.		61	CK-362	Rack box (RC/2-19)	1		
24	CK-324	Stop plate	1			62	CK-363	Shoe	2		
25	CK-325	First extension (without guides)	1			63	CK-365	Elastic pin Ø 2x14 DIN 1481	1	comm.	
26	CK-326	Special bolt	1			64	CK-366	Socket set screw M5x8 UNI 5927	1	comm.	
27	CK-327	Socket screw M5x16 UNI 5931	4	comm.		65	CK-367	Gear Z=12	1		
28	CK-328	Up-down plate	1			66	CK-368	Safety ring Ø 22 UNI 3654	1	comm.	
29	CK-329	Knob	1			67	CK-369	Ball 3/16"	1	comm.	
30	CK-378	Ball bearing 608-Z	2	comm.		68	CK-370	Spring	1		
31	CK-331	Dust proof plate 1st ext.	1			69	CK-371	Bush MB 10.10 DU	1	comm.	
32	CK-332	Dust proof cover 1st ext.	1			70	CK-372	Shoe	1		
33	CK-333	Cover	12			71	CK-373	Rack	1		
34	CK-334	Dust proof plate 2nd ext.	1			72	CK-374	Socket screw M4x14 UNI 5931	3	comm.	
35	CK-335	Plastic height marking	6			73	CK-375	Elastic pin Ø 2x10 DIN 1481	1	comm.	
36	CK-336	Socket screw M4x8 UNI 5931	8	comm.		74	CK-376	Spindle	1		
37	CK-337	Main support	1			75	CK-377	Socket screw M3x8 UNI 5933	1	comm.	
38	CK-338	Dust proof cover 2nd ext.	1			76	CK-379	Heli coil M6	2	comm.	



elemack

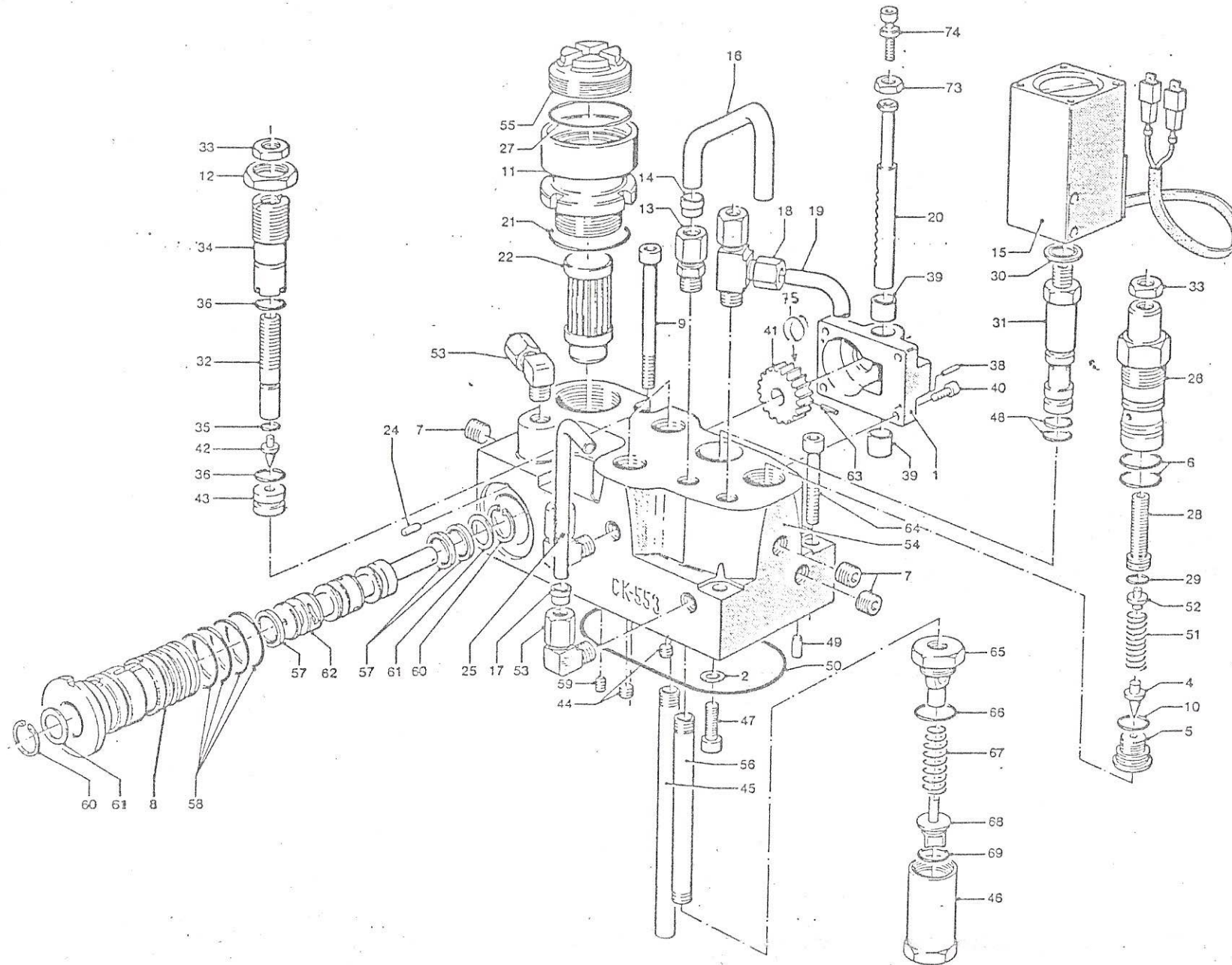
Hydraulic unit

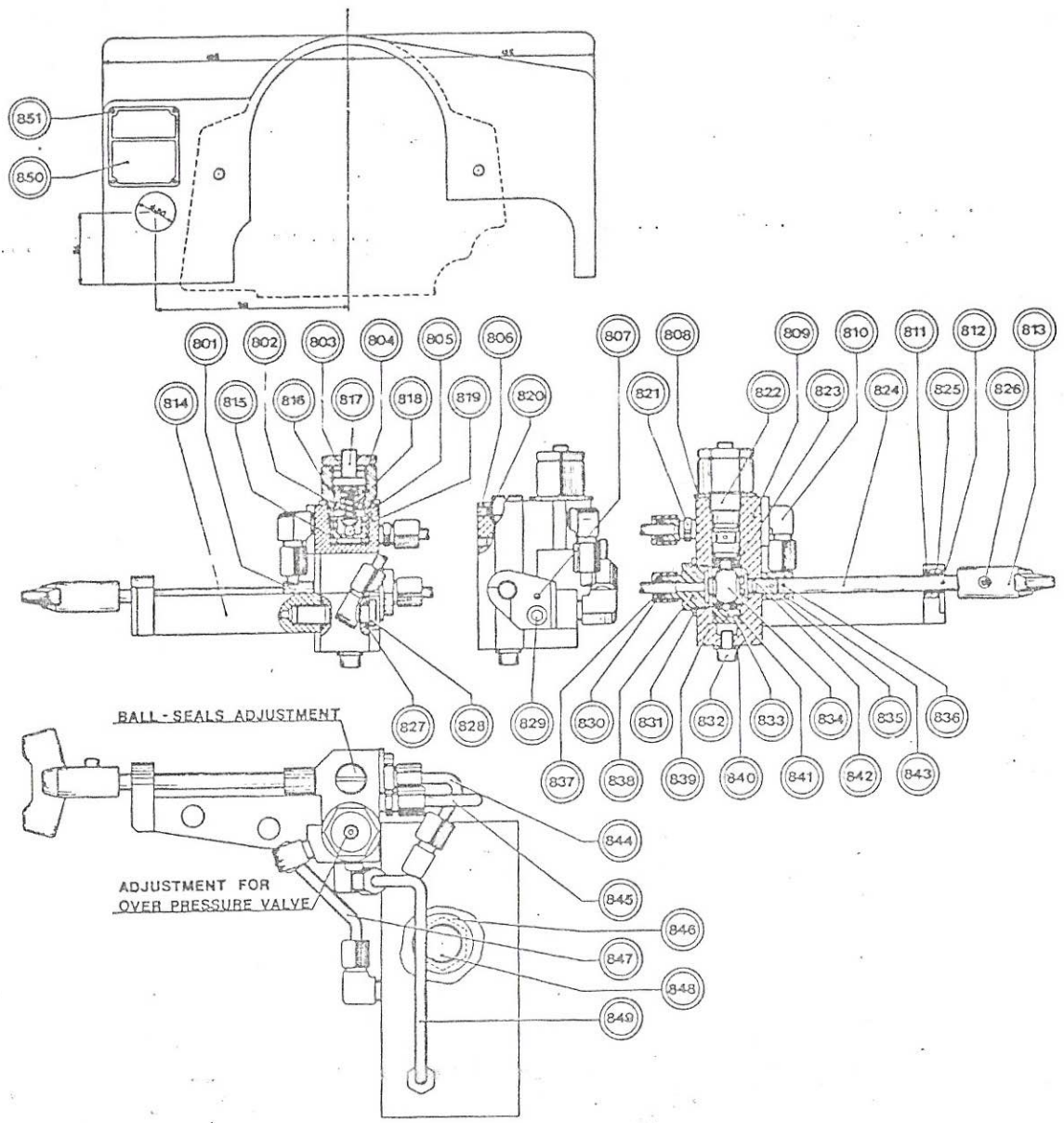
Assy CK-400

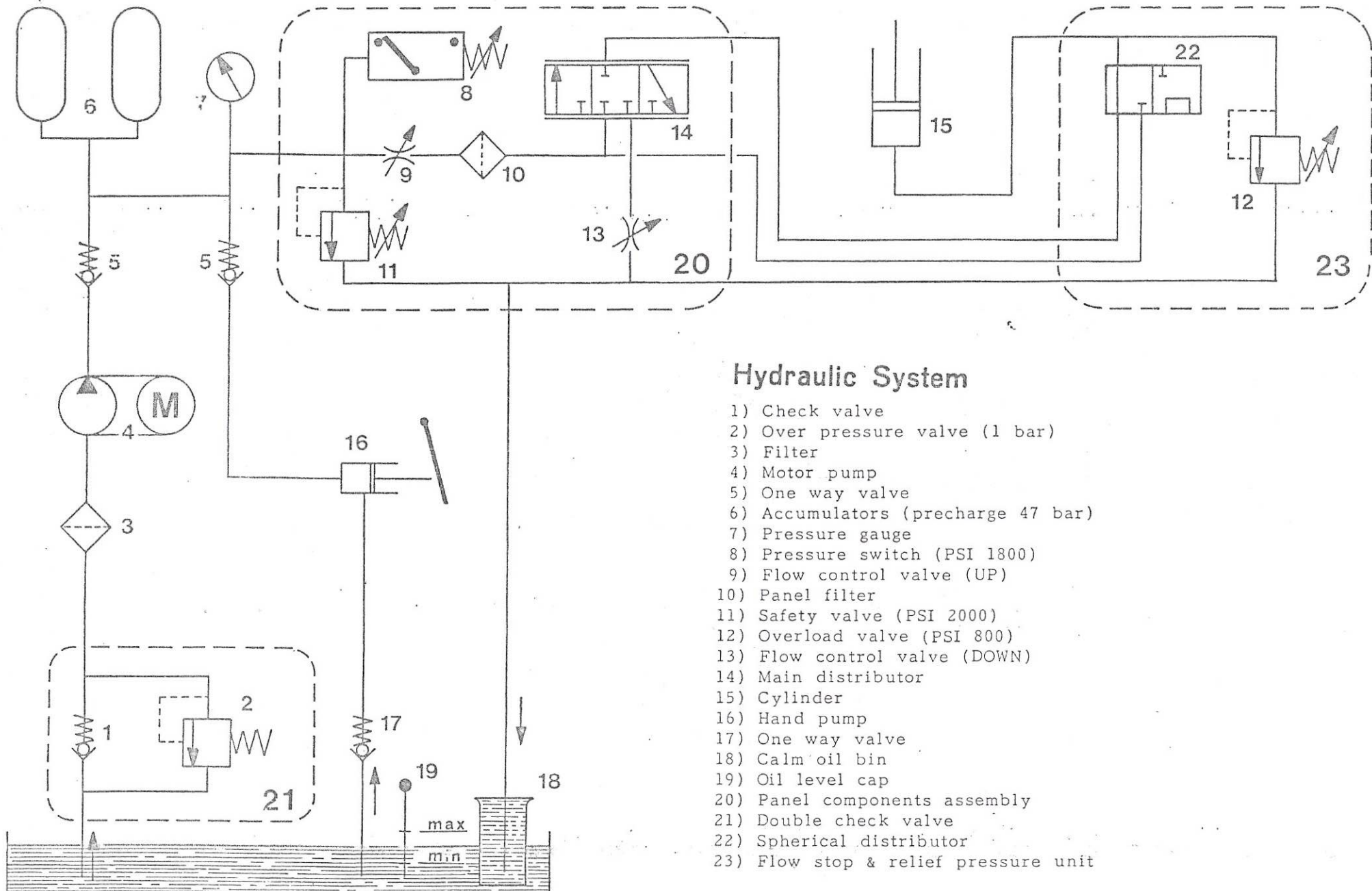
Cricket

Drwg. 5

Pos. No.	Code No.	Description	Quan.	Notes	Price	Pos. No.	Code No.	Description	Quan.	Notes	Price
76	CK-636	Cable	1				CK-Seals	Set of OR and Seals for Cricket	1		
77	CK-477	Gaco DPSM-8167	-	comm.			CK-A426	Double acting pump (complete)			
78	CK-472	Ball 1/8"	1	comm.			CK-A468	Double check valve			
79	CK-473	Spring	1				CK-A400	Hydraulic unit (complete)			
80	CK-474	Cap	1				CK-Screws	Set of screws for CK			
	CK-476	Hydraulic oil MOBIL DTE 26	L.4	comm.			CK-Labels	Set of labels for CK			







Hydraulic System

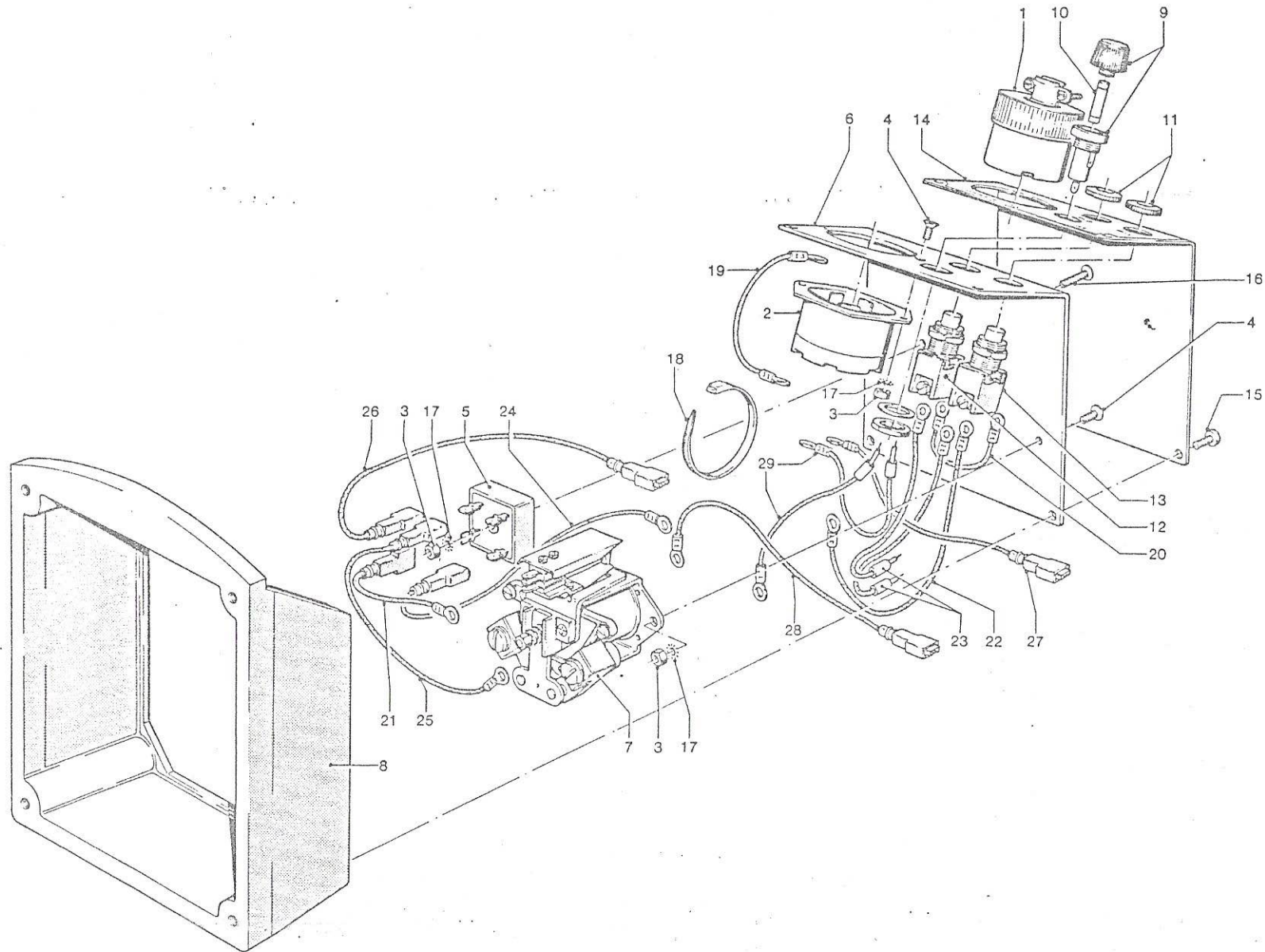
- 1) Check valve
- 2) Over pressure valve (1 bar)
- 3) Filter
- 4) Motor pump
- 5) One way valve
- 6) Accumulators (precharge 47 bar)
- 7) Pressure gauge
- 8) Pressure switch (PSI 1800)
- 9) Flow control valve (UP)
- 10) Panel filter
- 11) Safety valve (PSI 2000)
- 12) Overload valve (PSI 800)
- 13) Flow control valve (DOWN)
- 14) Main distributor
- 15) Cylinder
- 16) Hand pump
- 17) One way valve
- 18) Calm oil bin
- 19) Oil level cap
- 20) Panel components assembly
- 21) Double check valve
- 22) Spherical distributor
- 23) Flow stop & relief pressure unit

Cricket
Drwg. 7

Electric panel

Assy CK-600

elemack



ElemackElectric panel
115V. AC. DC.

Assy CK-600

Electric panel
220V. AC.

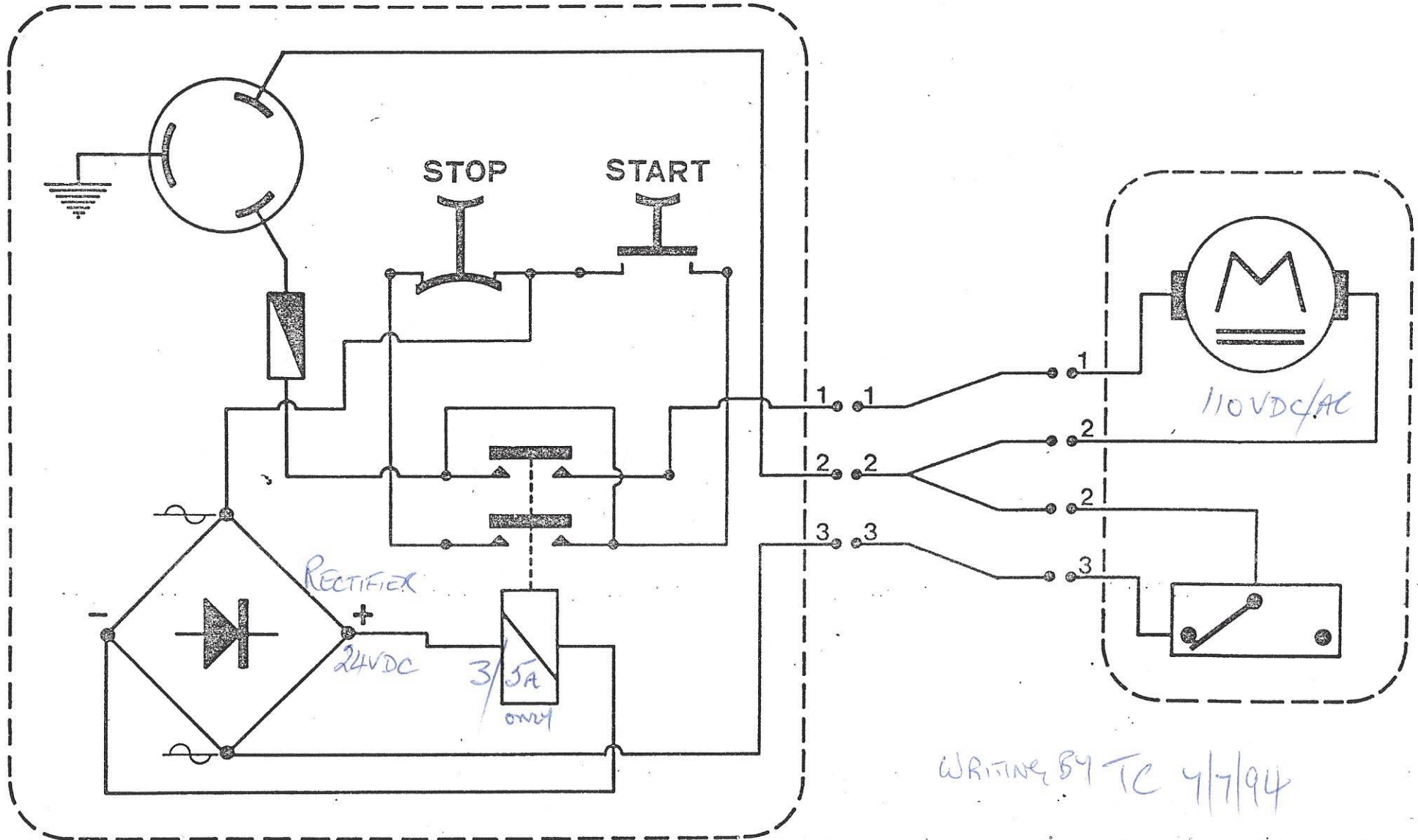
Assy CK-600

Cricket.

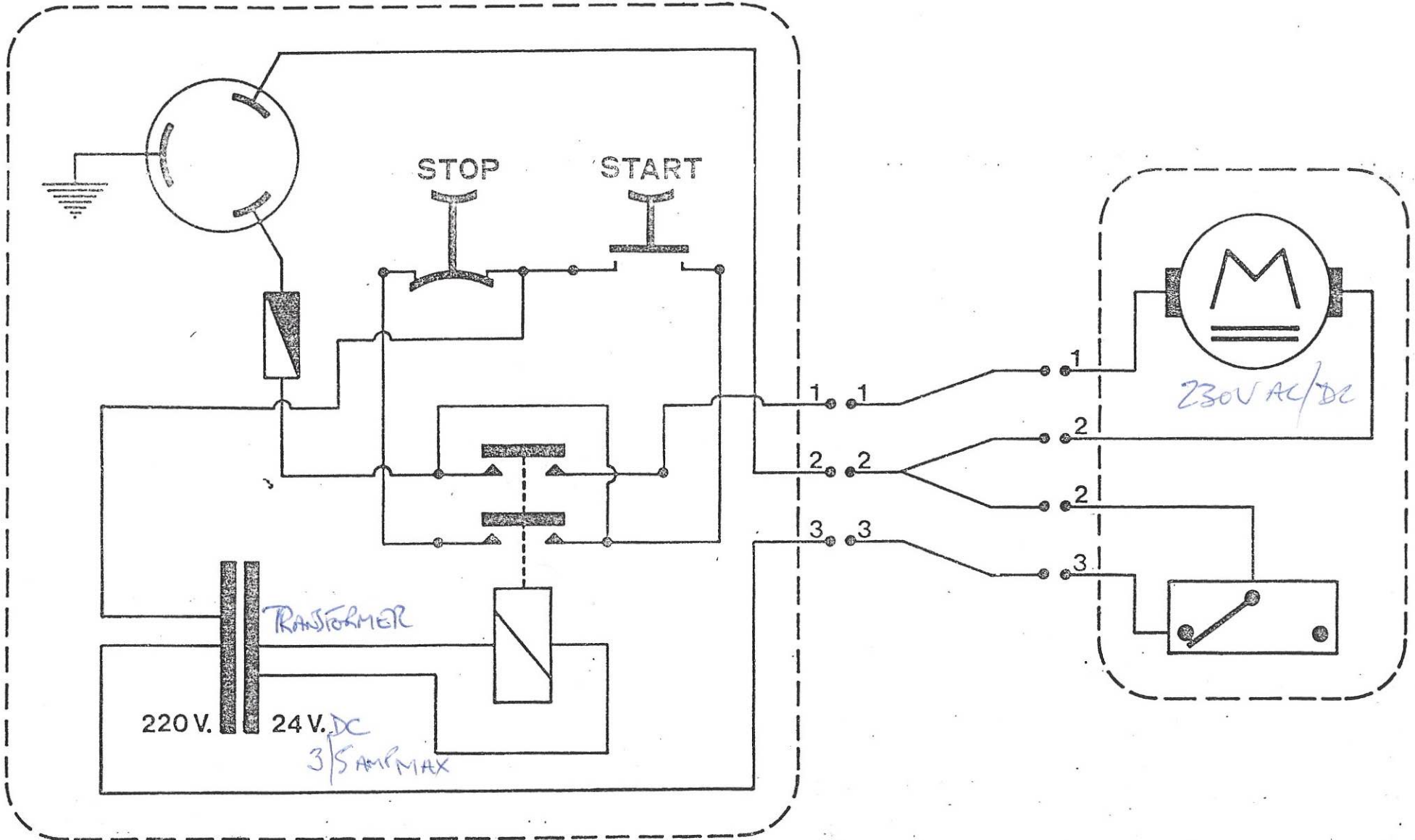
Drwg. 7

Pos. No.	Code No.	Description	Quan.	Notes	Price
1	CK-601	Female plug lev-o-lock	1	comm.	
2	CK-602	Male plug lev-o-lock	1	comm.	
3	CK-603	Nut M4 UNI 5588	5	comm.	
4	CK-604	Socket screw M4x8 UNI 5933	4	comm.	
5	CK-605	Wheatstone bridge	1	comm.	
6	CK-606	Electric panel support	1		
7	CK-607	Relay PAS 115v AC.DC	1	comm.	
8	CK-608	Casting	1		
9	CK-609	Fuse holder	1	comm.	
10	CK-610	Fuse(Feme AVD8)	1	comm.	
11	CK-611	Threadeed ring	2	comm.	
12	CK-612	Red button (stop)	1	comm.	
13	CK-613	Black button (start)	1	comm.	
14	CK-614	Electric panel plate 115v AC.DC	1		
15	CK-615	Socket screw M4x8 DIN 7986	4	comm.	
16	CK-616	Socket screw M4x18 UNI 5933	1	comm.	
17	CK-617	Tooth lock washer	5	comm.	
18	CK-629	Cables fastener	1	comm.	
19	CK-630	Earth wire	1		
20	CK-631	Cable	1		
21	CK-632	Cable	1		
22	CK-633	Cable	1		
23	CK-634	Cable	2		
24	CK-635	Cable	1		
25	CK-637	Cable	1		
26	CK-638	Cable	1		
27	CK-639	Cable	1		
28	CK-640	Cable	1		
29	CK-641	Cable	2		
CK-A600/115		Electric panel 115V.AC.DC.(comp.)			

Pos. No.	Code No.	Description	Quan.	Notes	Price
1	CK-601	Female plug lev-o-lock	1	comm.	
2	CK-602	Male plug lev-o-lock	1	comm.	
3	CK-603	Nut M4 UNI 5588	7	comm.	
4	CK-604	Socket screw M4x8 UNI 5933	7	comm.	
5	CK-643	Transformer 220v-24v	1		
6	CK-606	Electric panel support	1		
7	CK-644	Relay PAS 24v DC.	1	comm.	
8	CK-608	Casting	1		
9	CK-609	Fuse holder	1	comm.	
10	CK-610	Fuse(Feme AVD8)	1	comm.	
11	CK-611	Threaded ring	2	comm.	
12	CK-612	Red button (stop)	1	comm.	
13	CK-613	Black button (start)	1	comm.	
14	CK-649	Electric panel plate 220v	1		
15	CK-615	Socket screw M4x8 DIN 7986	4	comm.	
17	CK-617	Tooth lock washer	7	comm.	
18	CK-629	Cables fastener	1	comm.	
19	CK-630	Earth wire	1		
20	CK-631	Cable	1		
21	CK-645	Cable	1		
22	CK-633	Cable	1		
23	CK-634	Cable	2		
24	CK-646	Cable	1		
25	CK-647	Cable	1		
26	CK-648	Cable	1		
27	CK-639	Cable	1		
28	CK-640	Cable	1		
29	CK-641	Cable	2		
CK-A600/220		Electric panel 220V.AC.(comp.)			



WRITING BY TC 7/7/94



Cricket

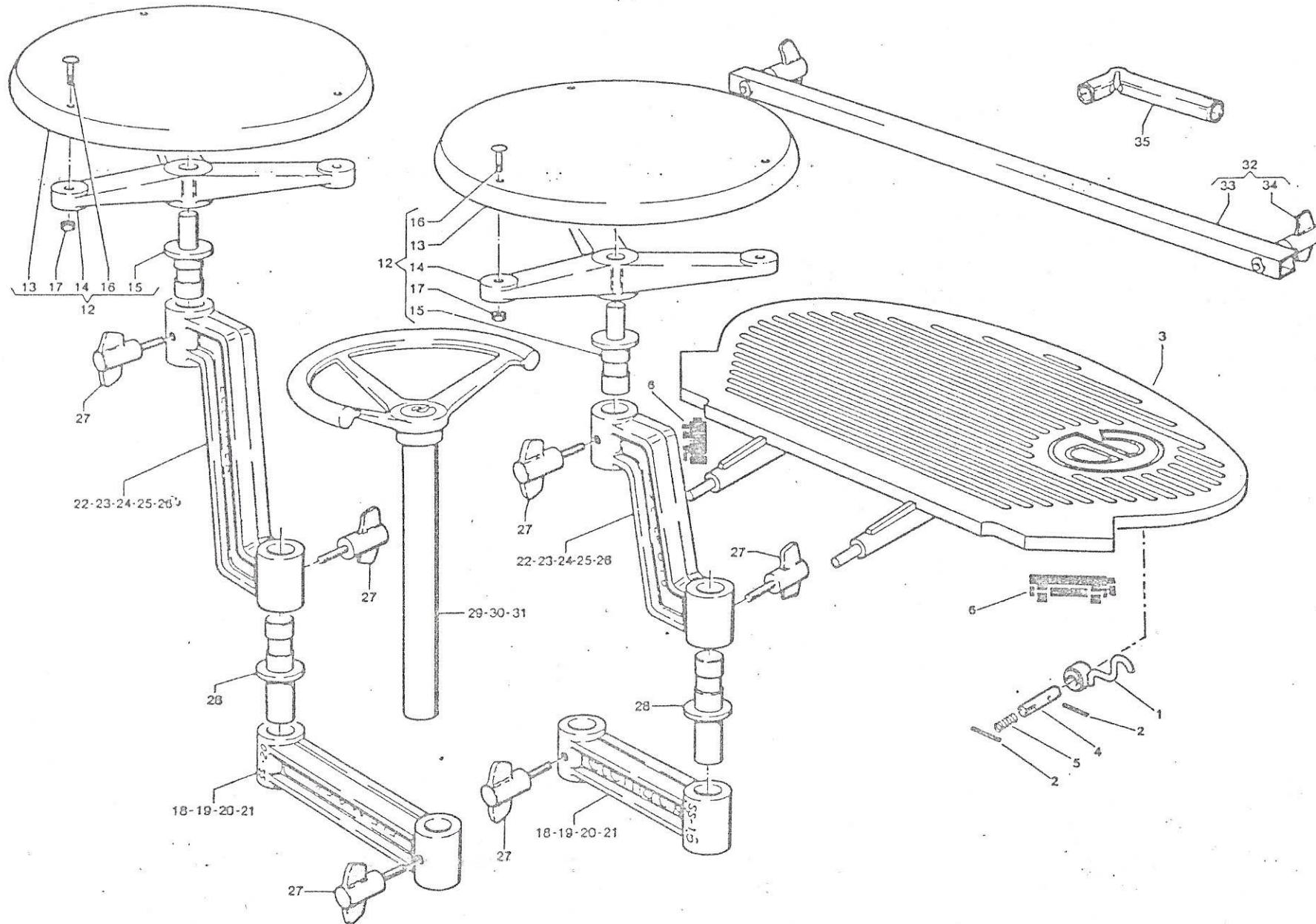
Drwg. 9

Platforms

Assy CK-700

Accessories

elemack



elemack

Platforms

Assy CK-700

Accessories

Cricket

Drwg. 9

Pos. No.	Code No.	Description	Quan.	Notes	Price	Pos. No.	Code No.	Description	Quan.	Notes	Price
1	CK-725	Spring hook	6			12	TG/32	Round wooden seat complete			
2	CK-722	Elastic pin \varnothing 2,5x16 DIN 1481	12	comm.		13	TG/32-2	Wooden seat	1		
3	CK-720	Platform	3			14	TG/32-1	Bracket	1		
4	CK-726	Position spindle	6			15	TG/32-5	Spindle	1		
5	CK-723	Spring	6			16	TG/32-3	Bolt TTL M6 L35 UNI 5732	3	comm.	
6	CK-721	Rubber buffer (couple)	6			17	TG/32-4	Nut M6 UNI 5588	3	comm.	
	CK-A700	Platform complete	1								
	CK-MSP	Spare parts and mainten. book	1			18	SS/16	Seat straight extension complete			
						19	SS/20	Seat straight extension "			
						20	SS/25	Seat straight extension "			
						21	SS/30	Seat straight extension "			
						22	SSG/10	Seat cranked extension "			
						23	SSG/15	Seat cranked extension "			
						24	SSG/20	Seat cranked extension "			
						25	SSG/25	Seat cranked extension "			
						26	SSG/30	Seat cranked extension "			
						27	WS/2	Wing screw			
						28	PS/1	Spindle			
						29	VG/S-46	Steering 20"			
						30	VG/S-34	Steering 15"			
						31	VG/S-11	Steering 6"			
						32	BA/S-62	Locking bar complete			
						33	BA/S-1	Bar	1		
						34	BA/S-3	Wing screw	2		
						35	BW/15	Box wrench CH-15 Tirante imballaggio		comm.	